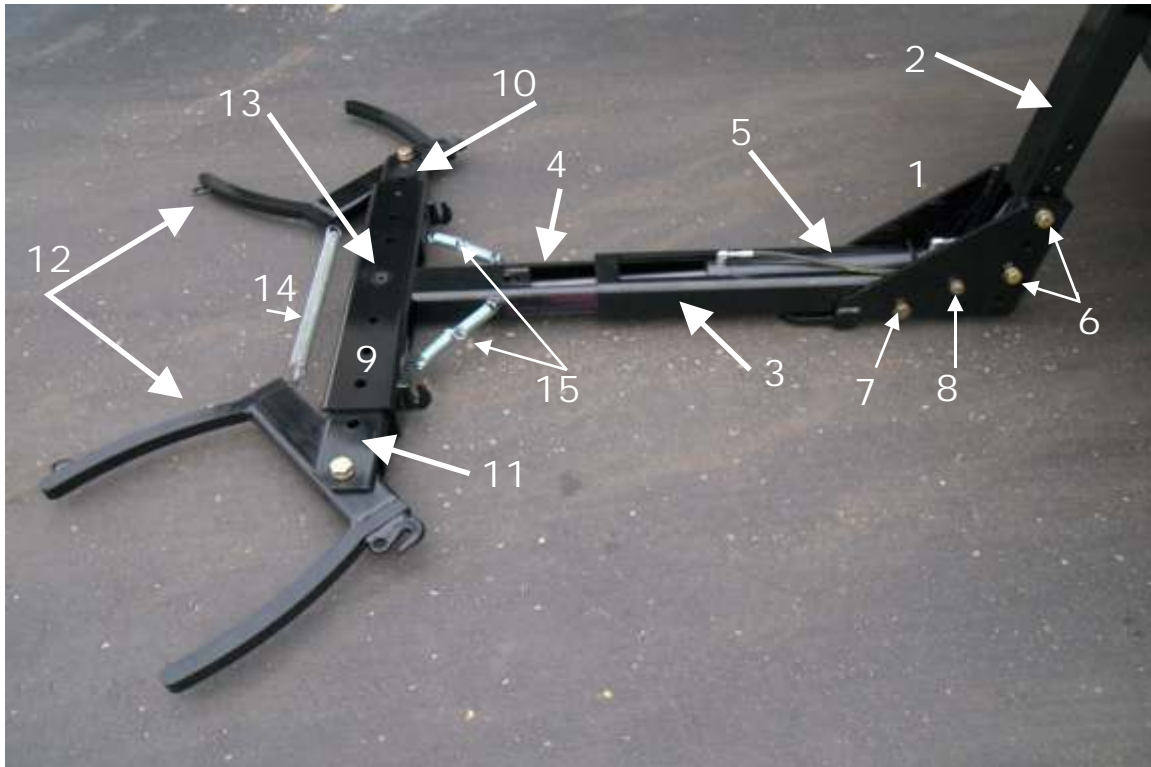


Minute Man Original (MMO) Parts diagram

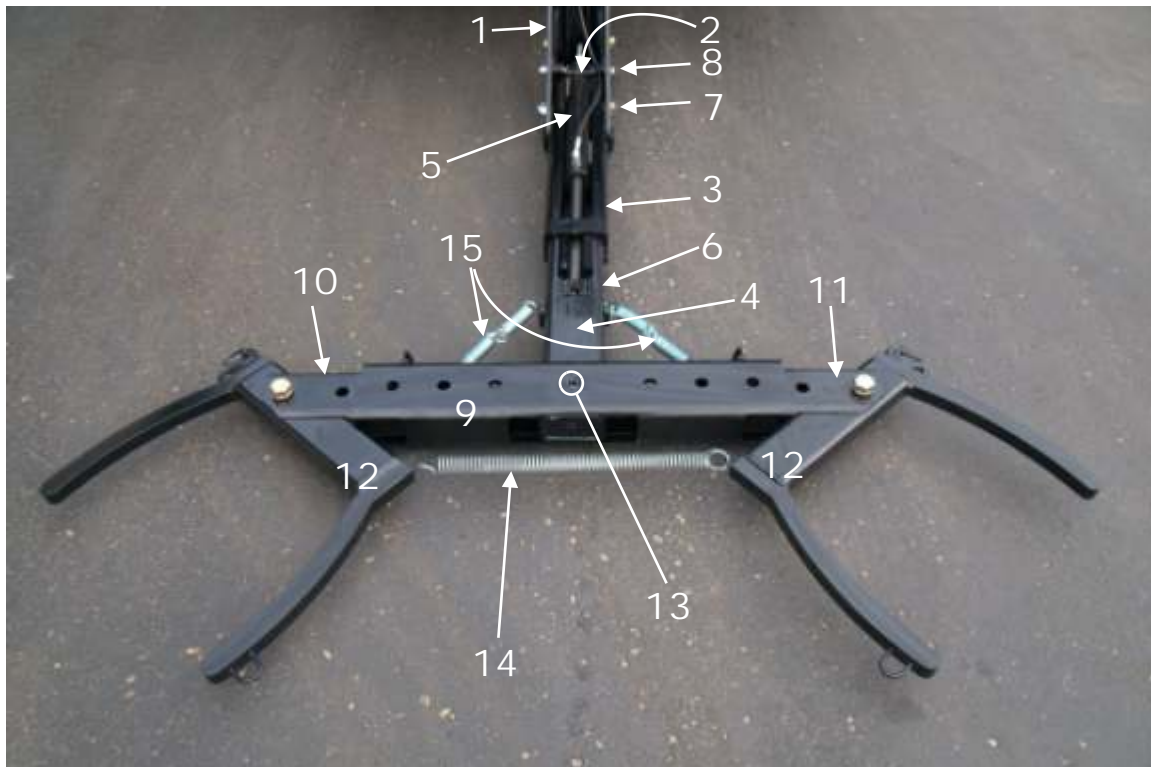


1. MM-BOOT
2. MM-ELBOW
3. MM-EXTEN-MMO
4. MM-RAM-MMO
5. MM-CYL-MMO-RAM
6. MM-BOLT-BOOT (X4)
7. MM-BOLT-EXTNBOOT (1" X 8-1/2")
8. MM-BOLT-BOOTCYLPIN (3/4" X 8-1/2")
9. MM-TBAR-MMO
10. MM-TBAR-EXTN-DS
11. MM-TBAR-EXTN-PS
12. MM-CHOOK
13. MM-SWIVELNUT
14. MM-SPRING-CHOOK
15. MM-SPRING-TBAR



877-593-6959
www.minutemanmfg.com
sales@minutemanmfg.com

Minute Man Original (MMO) Parts diagram

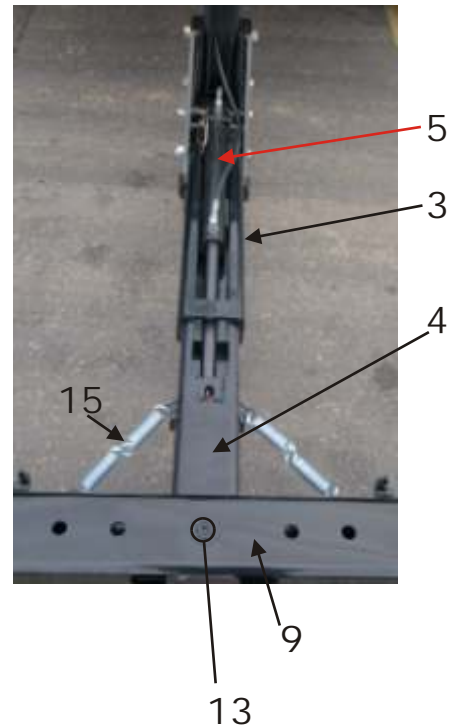
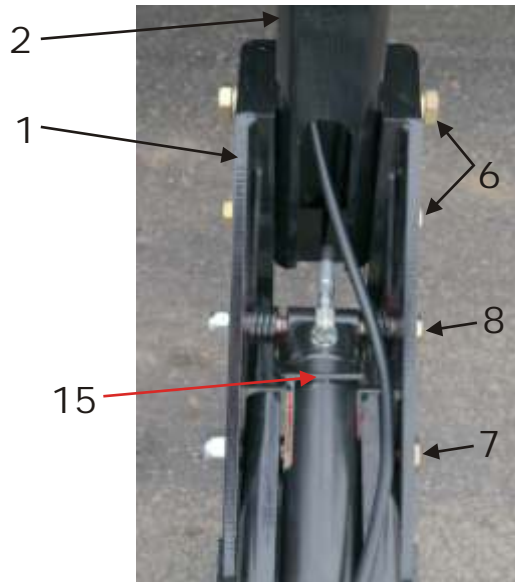


1. MM-BOOT
2. MM-SPRING-BOOT
3. MM-EXTEN-MMO
4. MM-RAM-MMO
5. MM-CYL-MMO-RAM
6. MM-BOLT-RAMCYL-*
7. MM-BOLT-EXTNBOOT (1" X 8-1/2")
8. MM-BOLT-BOOTCYLPIN (3/4" X 8-1/2")
9. MM-TBAR-MMO
10. MM-TBAR-EXTN-DS
11. MM-TBAR-EXTN-PS
12. MM-CHOOK
13. MM-SWIVELNUT
14. MM-SPRING-CHOOK
15. MM-SPRING-TBAR



877-593-6959
www.minutemanmfg.com
sales@minutemanmfg.com

Minute Man Original (MMO) Parts diagram



1. MM-BOOT
2. MM-ELBOW
3. MM-EXTEN-MMO
4. MM-RAM-MMO
5. MM-CYL-MMO-RAM
6. MM-BOLT-BOOT (X4)
7. MM-BOLT-EXTNBOOT (1" X 8-1/2")
8. MM-BOLT-BOOTCYLPIN (3/4" X 8-1/2")
9. MM-TBAR-MMO
10. *Not shown*
11. *Not shown*
12. MM-SPRING-BOOT
13. MM-SWIVELNUT
14. *Not shown*
15. MM-SPRING-TBAR