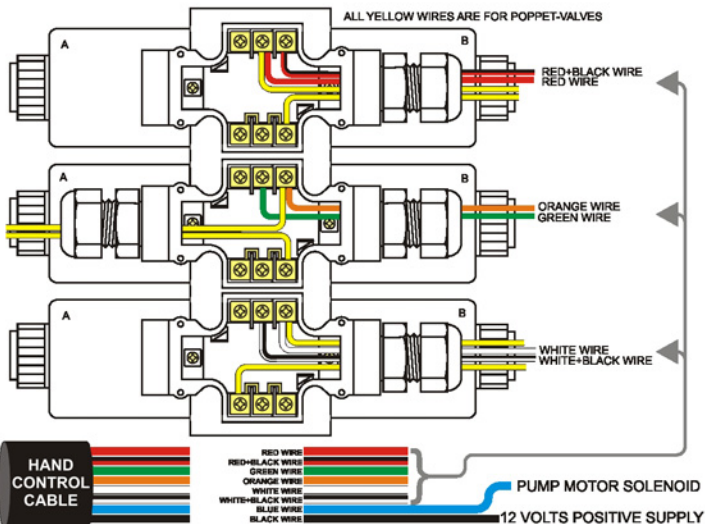




MINUTE MAN



WIRING SCHEMATIC



Detail of connector block

Terminal marked "A" energises coil "A"
Terminal marked "B" energises coil "B"
All Terminals marked "-" are Ground

