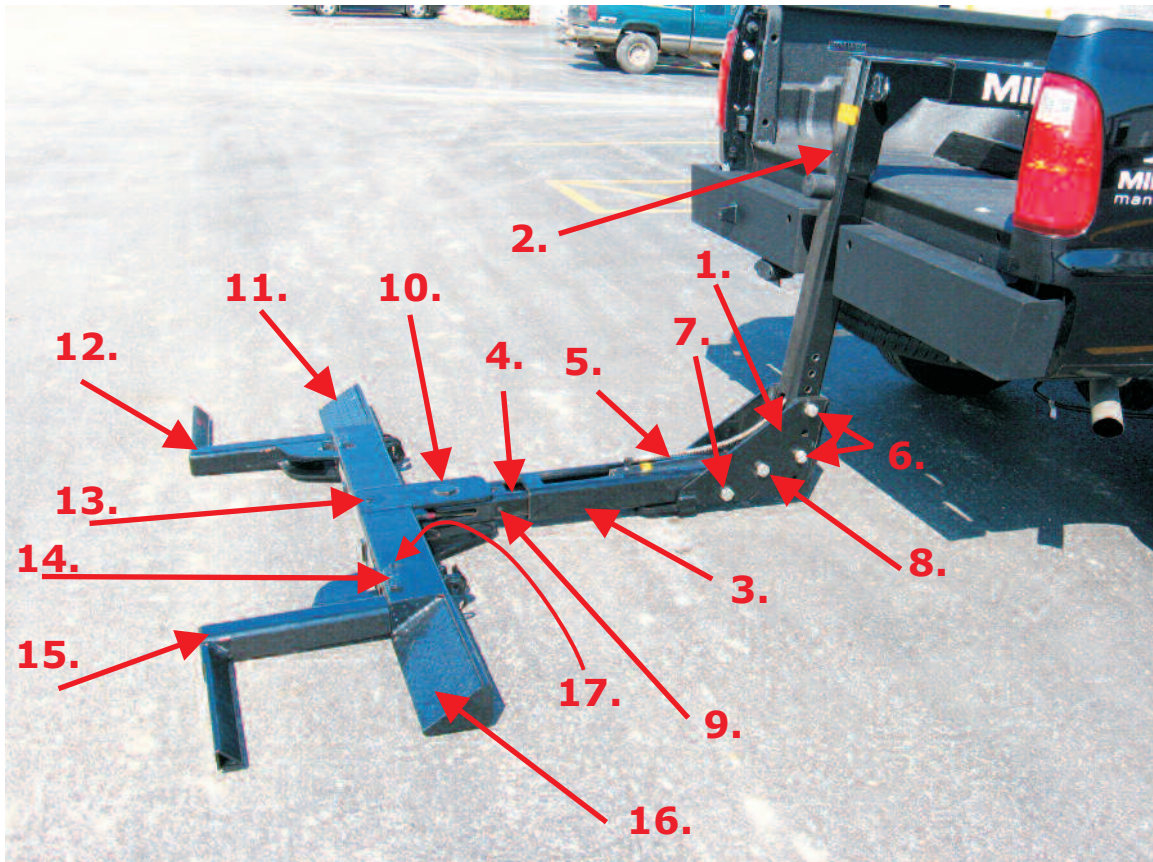


MINUTE MAN HDH PARTS DIAGRAM



1. 122 - BOOT
2. 121 - ELBOW
3. 123 - EXTEN-HDH (OUTER EXTENSION)
4. 135 - RAM-HDH (INNER EXTENSION)
5. 136 - CYL-HDH-RAM (CYLINDER for IN/OUT)
6. 217 - BOOT BOLT - Coarse thread sold each (4) required
7. 224 - EXTENSION BOOT BOLT (1" X 8-1/2")
8. 226 - CYLINDER/SPRING BOOT BOLT (1" X 8-1/2")
9. 404 - IN/OUT CYLINDER PIN- 2009 AND NEWER
10. 244 - HEADBOLT- D1- HDH ONLY - 2" THREADED HEX
11. 236 - HDH SHOE ASSEMBLY- DRIVER SIDE
12. 133 - L-ARM DRIVER SIDE
13. 248 - HEAD CYLINDER PIN
14. 247 - L-ARM PIN
15. 134 - L-ARM PASSENGER SIDE
16. 237 - HDH SHOE ASSEMBLY- PASSENGER SIDE
17. 249 - L-ARM CYLINDER PIN